



AC Centrifugal Blower

Shyuan Ya's centrifugal blowers features a single-Inlet forward-curved design and die-cast aluminum housing. Each blower also features an external rotor motor and galvanized sheet steel impeller. Each fan comes standard with long-life maintenance-free dual ball bearings. This line comes in five models ranging from Ø120 to Ø160 mm, delivering up to 400 cfm of airflow power.





Ø120x98mm CA120-98T Series AC Centrifugal Blower

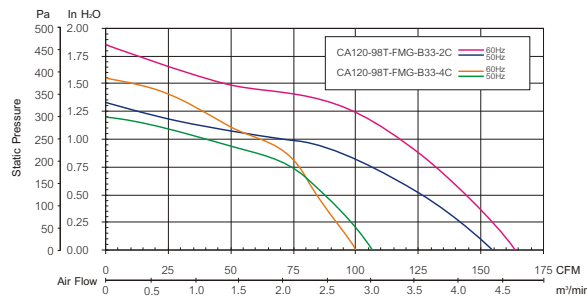


Specification:

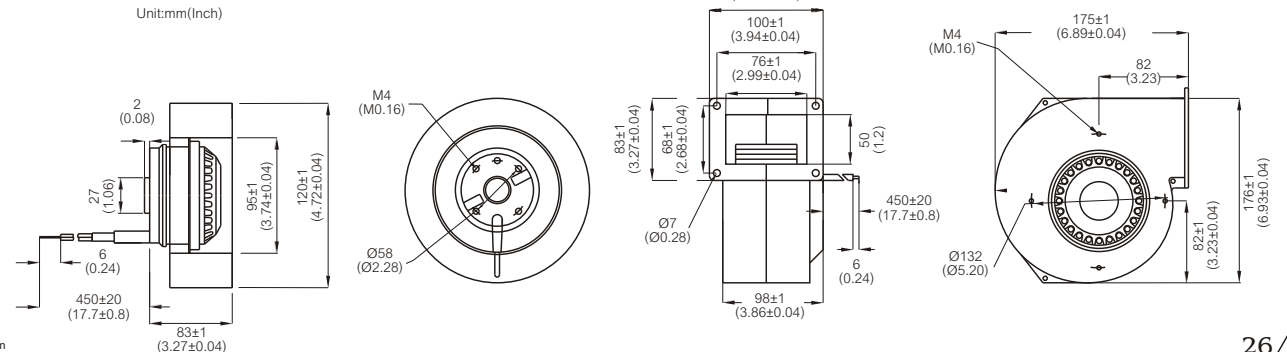
Air Flow	100 ~ 164CFM
Impeller	Die-cast Aluminum Housing Galvanised Sheet Steel Impeller
Motor	Capacitor-Run Induction and External Rotor Motor
Rotor	Black Paint
Bearing	Dual Ball Bearing, Permanently Lubricated
Operating Voltage Range	85VAC to 125VAC for 115V Type 185VAC to 245 VAC for 230V Type
Lead Wire	AWG# 18 UL
Insulation	Class "B" or "F"
Safety	Thermally Protected (Auto Restart)
Operating Temperature	-20°C to +60°C
Weight	1910g

Item Code	Rated Voltage	Frequency (Hz)	Rated Current(A)	Input Power(W)	Speed (RPM)	Air Flow (CFM)	Air Flow (m³/min)	Static Pressure (Inch-H ₂ O)	Noise dB(A)	Capacitor (µF)
CA1V120-98T-FMG-B33-2C	115V	50/60	0.72/0.80	78/92	2310/2470	154/164	4.4/4.7	1.32/1.85	60/61	7µF 200VAC
CA2V120-98T-FMG-B33-2C	230V	50/60	0.35/0.41	78/94	2300/2460	154/164	4.4/4.7	1.32/1.85	60/61	2µF 400VAC
CA1V120-98T-FMG-B33-4C	115V	50/60	0.31/0.36	36/41	1640/1530	107/100	3.0/2.8	1.19/1.55	52/51	4µF 200VAC
CA2V120-98T-FMG-B33-4C	230V	50/60	0.19/0.21	42/47	1640/1530	107/100	3.0/2.8	1.19/1.55	52/51	1µF 400VAC

Characteristic Curves:



Outline Drawing:





Ø140x100mm CA140-100T Series AC Centrifugal Blower



Specification:

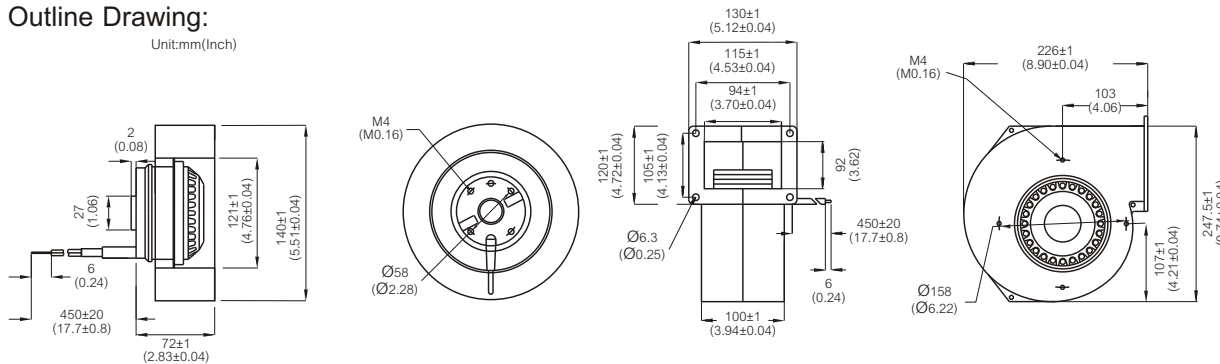
Air Flow	286~ 297 CFM
Impeller	Die-cast Aluminum Housing Galvanised Sheet Steel Impeller
Motor	Capacitor-Run Induction and External Rotor Motor
Rotor	Black Paint
Bearing	Dual Ball Bearing, Permanently Lubricated
Operating Voltage Range	85VAC to 125VAC for 115V Type 185VAC to 245 VAC for 230V Type
Lead Wire	AWG# 18 UL
Insulation	Class "B" or "F"
Safety	Thermally Protected (Auto Restart)
Operating Temperature	-20°C to +60°C
Weight	3350g



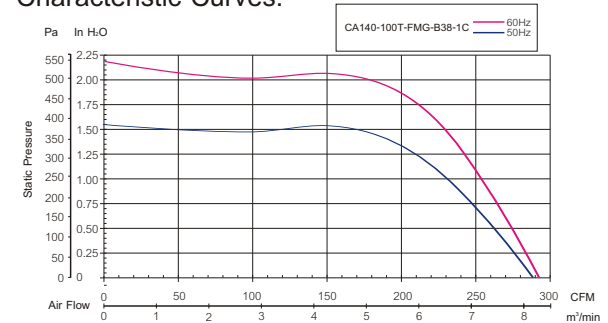
Item Code	Rated Voltage	Frequency (Hz)	Rated Current(A)	Input Power(W)	Speed (RPM)	Air Flow (CFM)	Air Flow (m³/min)	Static Pressure (inch-H ₂ O)	Noise dB(A)	Capacitor (μF)
CA1V140-100T-FMG-B38-1C	115V	50/60	1.35/1.78	155/203	2380/2430	286/292	8.1/8.3	1.55/2.17	70/70	16μF 200VAC
CA2V140-100T-FMG-B38-1C	230V	50/60	0.67/0.89	154/203	2400/2460	292/297	8.3/8.4	1.55/2.17	70/70	4μF 400VAC

Outline Drawing:

Unit:mm(Inch)



Characteristic Curves:





Ø140x100mm CA140-100T Series AC Centrifugal Blower



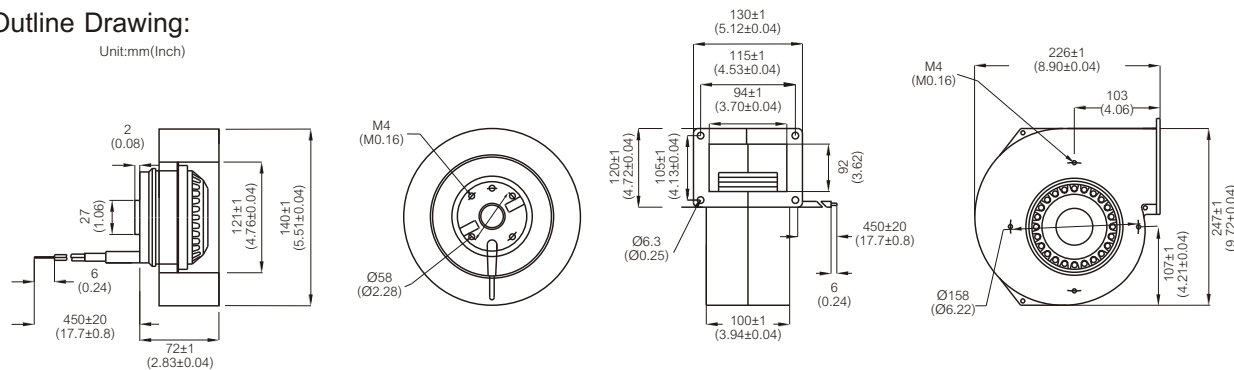
Specification:

Air Flow	217~ 250 CFM
Impeller	Die-cast Aluminum Housing Galvanised Sheet Steel Impeller
Motor	Capacitor-Run Induction and External Rotor Motor
Rotor	Black Paint
Bearing	Dual Ball Bearing, Permanently Lubricated
Operating Voltage Range	85VAC to 125VAC for 115V Type 185VAC to 245 VAC for 230V Type
Lead Wire	AWG# 18 UL
Insulation	Class "B" or "F"
Safety	Thermally Protected (Auto Restart)
Operating Temperature	2C→ -20°C to +60°C; 3C→ -20°C to +70°C
Weight	2C→3000g; 3C→2580g

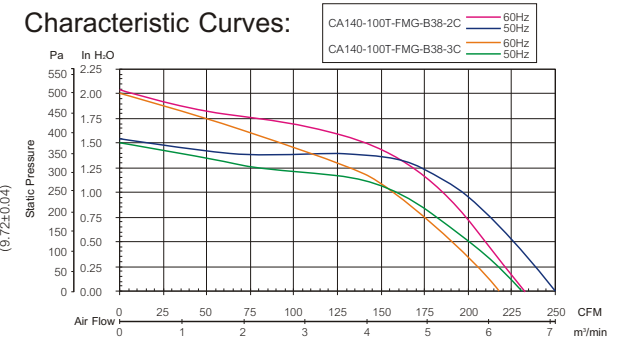
Item Code	Rated Voltage	Frequency (Hz)	Rated Current(A)	Input Power(W)	Speed (RPM)	Air Flow (CFM)	Air Flow (m³/min)	Static Pressure (inch-H ₂ O)	Noise dB(A)	Capacitor (µF)
CA1V140-100T-FMG-B38-2C	115V	50/60	1.06/1.22	120/140	1800/1670	250/232	7.1/6.6	1.55/2.05	64/62	12µF 200VAC
CA2V140-100T-FMG-B38-2C	230V	50/60	0.54/0.63	124/144	1790/1630	250/232	7.1/6.6	1.55/2.05	64/62	3µF 400VAC
CA1V140-100T-FMG-B38-3C	115V	50/60	0.88/0.99	101/113	1490/1410	231/218	6.6/6.2	1.51/2.0	60/58	10µF 200VAC
CA2V140-100T-FMG-B38-3C	230V	50/60	0.44/0.50	102/113	1530/1440	231/217	6.6/6.1	1.51/2.0	60/58	2.5µF 400VAC

Outline Drawing:

Unit:mm(Inch)



Characteristic Curves:





Ø146x100mm CA146-100T Series AC Centrifugal Blower



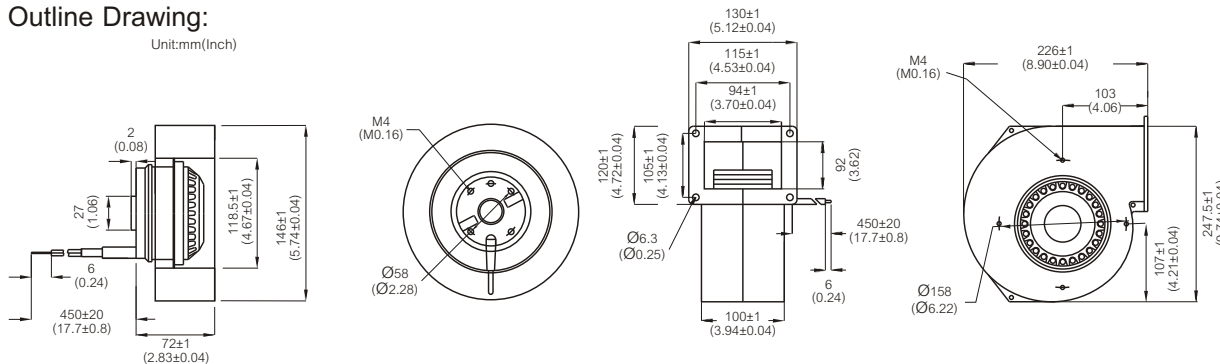
Specification:

Air Flow	255 ~ 325CFM
Impeller	Die-cast Aluminum Housing Galvanised Sheet Steel Impeller
Motor	Capacitor-Run Induction and External Rotor Motor
Rotor	Black Paint
Bearing	Dual Ball Bearing, Permanently Lubricated
Operating Voltage Range	85VAC to 125VAC for 115V Type 185VAC to 245 VAC for 230V Type
Lead Wire	AWG# 18 UL
Insulation	Class "B" or "F"
Safety	Thermally Protected (Auto Restart)
Operating Temperature	-20°C to +60°C
Weight	2800g

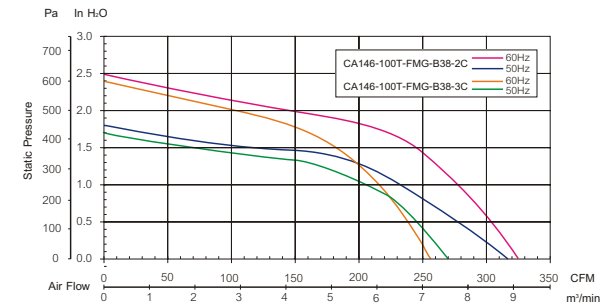
Item Code	Rated Voltage	Frequency (Hz)	Rated Current(A)	Input Power(W)	Speed (RPM)	Air Flow (CFM)	Air Flow (m³/min)	Static Pressure (inch-H ₂ O)	Noise dB(A)	Capacitor (µF)
CA1V146-100T-FMG-B38-2C	115V	50/60	1.84/2.13	209/243	1930/2010	313/325	8.9/9.2	1.75/2.50	67/67	20µF 200VAC
CA2V146-100T-FMG-B38-2C	230V	50/60	0.93/1.06	211/242	1910/1950	314/320	8.9/9.1	1.75/2.50	67/67	5µF 400VAC
CA1V146-100T-FMG-B38-3C	115V	50/60	1.20/1.34	136/154	1680/1600	270/255	7.6/7.2	1.72/2.40	63/62	12µF 200VAC
CA2V146-100T-FMG-B38-3C	230V	50/60	0.60/0.66	138/153	1680/1600	270/255	7.6/7.2	1.72/2.40	63/62	3µF 400VAC

Outline Drawing:

Unit:mm(Inch)



Characteristic Curves:





Ø160x100mm CA160-100T Series AC Centrifugal Blower



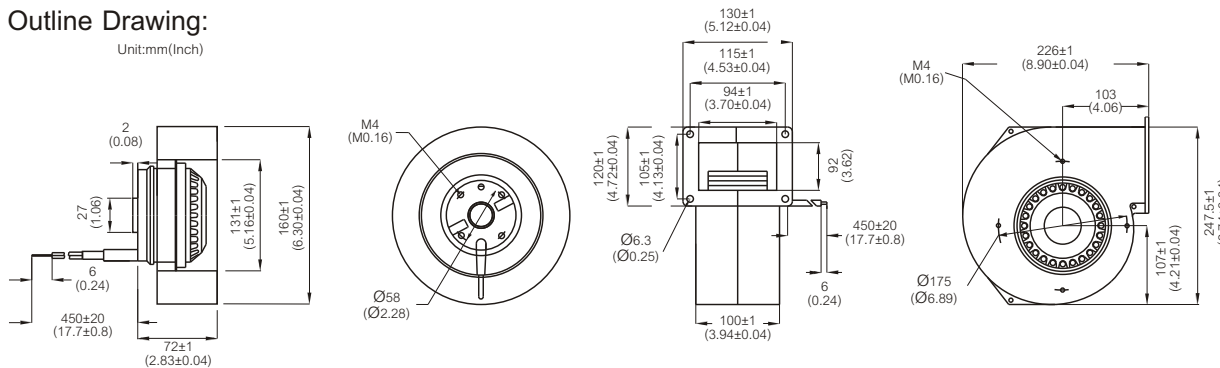
Specification:

Air Flow	337~ 406 CFM
Impeller	Die-cast Aluminum Housing Galvanised Sheet Steel Impeller
Motor	Capacitor-Run Induction and External Rotor Motor
Rotor	Black Paint
Bearing	Dual Ball Bearing, Permanently Lubricated
Operating Voltage Range	85VAC to 125VAC for 115V Type 185VAC to 245 VAC for 230V Type
Lead Wire	AWG# 18 UL
Insulation	Class "B" or "F"
Safety	Thermally Protected (Auto Restart)
Operating Temperature	-20°C to +50°C
Weight	3700g

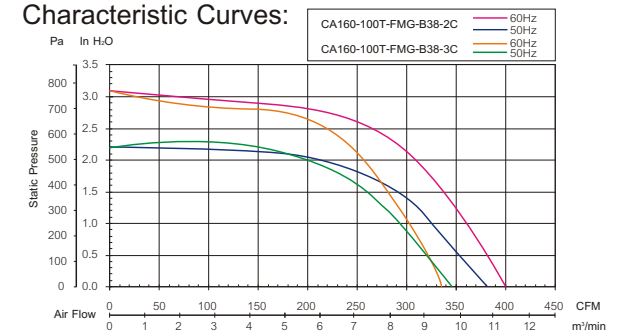
Item Code	Rated Voltage	Frequency (Hz)	Rated Current(A)	Input Power(W)	Speed (RPM)	Air Flow (CFM)	Air Flow (m³/min)	Static Pressure (inch-H ₂ O)	Noise dB(A)	Capacitor (µF)
CA1V160-100T-FMG-B38-2C	115V	50/60	2.68/3.34	297/380	2360/2460	383/401	10.8/11.4	2.22/3.12	76/77	32µF 200VAC
CA2V160-100T-FMG-B38-2C	230V	50/60	1.33/1.66	295/382	2370/2490	386/406	10.9/11.5	2.22/3.12	76/77	8µF 400VAC
CA1V160-100T-FMG-B38-3C	115V	50/60	2.02/2.48	234/283	2110/2070	346/338	9.8/9.6	2.18/3.10	73/73	24µF 200VAC
CA2V160-100T-FMG-B38-3C	230V	50/60	1.02/1.23	233/282	2130/2090	346/337	9.8/9.5	2.18/3.10	73/73	6µF 400VAC

Outline Drawing:

Unit:mm(Inch)



Characteristic Curves:





121x121x37mm BA12C37T Series AC BLOWER



Specification:

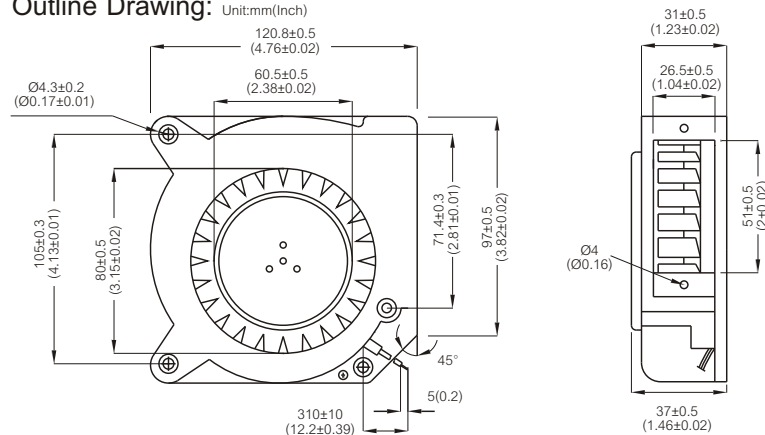
Air Flow	22~ 23 CFM
Housing	Spiral Housing of Fiberglass-Reinforced Polycarbonate Housing Base of Galvanized Steel Plate
Impeller	Thermoplastic PBT, UL94V-0
Bearing	Ball or Sleeve
Termination	Lead Wire
Operating Voltage Range	85VAC to 125VAC for 115V Type 185VAC to 245 VAC for 230V Type
Insulation	Class "B" or "F"
Safety	Impedance Protected
Operating Temperature	-10°C to + 70°C for Sleeve Type -20°C to + 80°C for Ball Type
Weight	625g



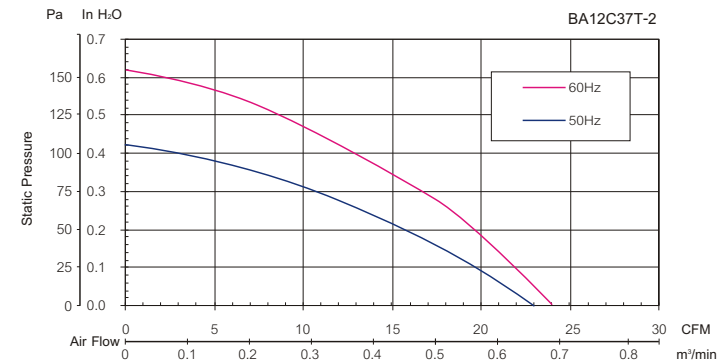
Item Code	Bearing Availability	Rated Voltage	Frequency (Hz)	Rated Current(A)	Input Power(W)	Speed (RPM)	Air Flow (CFM)	Air Flow (m³/min)	Static Pressure (inch-H ₂ O)	Noise dB(A)
BA1V12C37TBL-2	B,S	115V	50/60	0.27/0.24	21/19	2500/2500	22/23	0.62/0.65	0.42/0.62	53/54
BA2V12C37TBL-2	B,S	230V	50/60	0.14/0.12	21/20	2500/2500	22/23	0.62/0.65	0.42/0.62	53/54

For "Sleeve" bearing version, change the "B" in the model number to "S".

Outline Drawing: Unit:mm(Inch)



Characteristic Curves:



220x220x56mm BA22C56T Series AC BLOWER



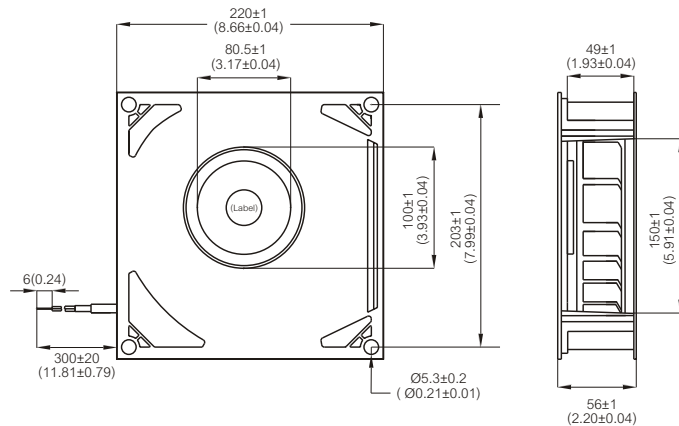
Specification:

Air Flow	103~ 120 CFM
Housing	Spiral Housing of Fiberglass-Reinforced Polycarbonate Housing Base of Galvanized Steel Plate
Impeller	Thermoplastic PBT, UL94V-0
Bearing	Ball
Termination	Lead Wire
Operating Voltage Range	85VAC to 125VAC for 115V Type 185VAC to 245 VAC for 230V Type
Insulation	Class "B" or "F"
Safety	Thermally Protected (Auto Restart)
Operating Temperature	-20°C to + 80°C for Ball Type
Weight	1750g



Item Code	Bearing Availability	Rated Voltage	Frequency (Hz)	Rated Current(A)	Input Power(W)	Speed (RPM)	Air Flow (CFM)	Air Flow (m³/min)	Static Pressure (inch-H ₂ O)	Noise dB(A)
BA1V22C56TBL-1C	B	115V	50/60	0.34/0.42	37/45	2900/3300	103/117	2.92/3.32	1.33/1.88	64/66
BA2V22C56TBL-1C	B	230V	50/60	0.16/0.20	36/44	3300/3300	104/120	2.94/3.39	1.33/1.88	64/66

Outline Drawing: Unit:mm(Inch)



Characteristic Curves:

